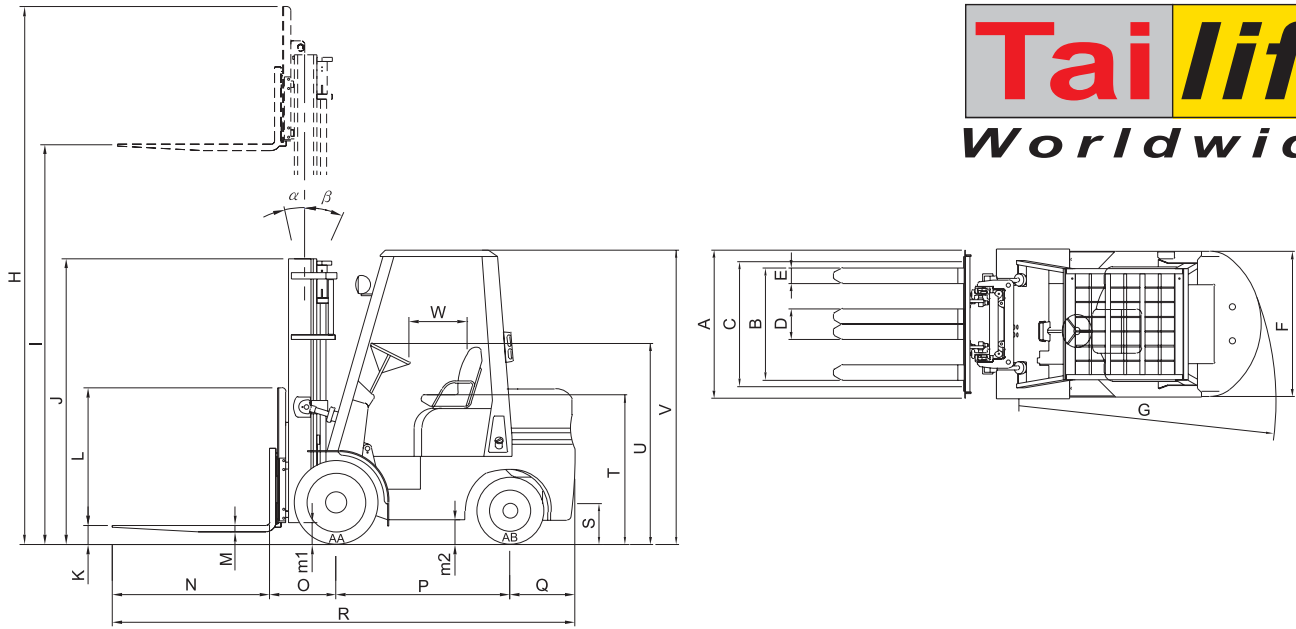


**Tai lift**  
*Worldwide*

**4,000 to 5,000 lb  
Gas & LPG Powered  
Cushion tire lift trucks**



CE ISO 9001



## DIMENSIONS

Item	Model	FG20C	FG25C
Capacity	lbs	4000	5000
Load center	in	24	24
Overall width	A	41.7	41.7
Outside width between forks	B	36.2	36.2
Front wheels tread	C	34.6	34.6
Width of two forks	D	9.4	9.4
Width of one fork	E	4.7	4.7
Rear wheels tread	F	36.2	36.2
Min. turning radius. Outside	G	76.5	78.5
Max height overall	H	178	178
Max. fork height	I	130	130
Height of mast	J	84.3	84.3
Free lift	K	6.0	6.0
Height of load backrest	L	48	48
Max. thickness of fork	M	1.6	1.6
Length of fork	N	42.0	42.0
Distance between front and center of wheel	O	16.3	16.3
Wheel Base	P	55.1	55.1
Distance between front and center of rear wheel	Q	17.6	19.9
Overall length	R	131	133.3
Ground At lowest point	m1	4.3	4.3
Clearance Center of wheelbase	m2	4.3	4.1
Height of tail	S	10.2	10.2
Seat height	T	39.9	39.9
Height of steering wheel	U	56.1	56.1
Height of overhead guard	V	78.7	78.7
Space of driver's seat	W	16.7~24.4	
Dimension of front wheel	AA	21x7x15	
Dimension of rear wheel	AB	16 1/4x5x11 <sup>14</sup>	

## MAIN SPECIFICATIONS

Item	Model	FG	FG
		FG(LPG) 20	FG(LPG) 25
Load (lbs)		4000	5000
Load Center (in.)		24	24
Mast tilting range (deg)	Front	6°	6°
	Rear	10°	10°
Lifting speed (in / sec)	No load	24"	24"
	Full load	21.3"	21.3"
Lowering speed (in/ sec)	No load	17.3"	17.3"
	Full load	18.9"	18.9"
Travel speed (mph)	No load	9.5	9.5
	Full load	9.5	9.5
Gradeability (deg)	No load	21	18
	Full load	30	26
Net weight (lbs)		7340	8206
Max. drawbar pull (lbs)		4300	4300

### Standard features include:

Automatic transmission with trans cooler, 3rd valve and handle, high air intake, class II carriage with six roller bearings, headlight, rear back-up light, and turn signals

### Engine Options

Diesel	Isuzu	4JG2-PJ03	61.6HP
LPG:	GM	3.0L	75HP

Specifications are subject to improvements and changes without notice.

**Authorized distributor:**