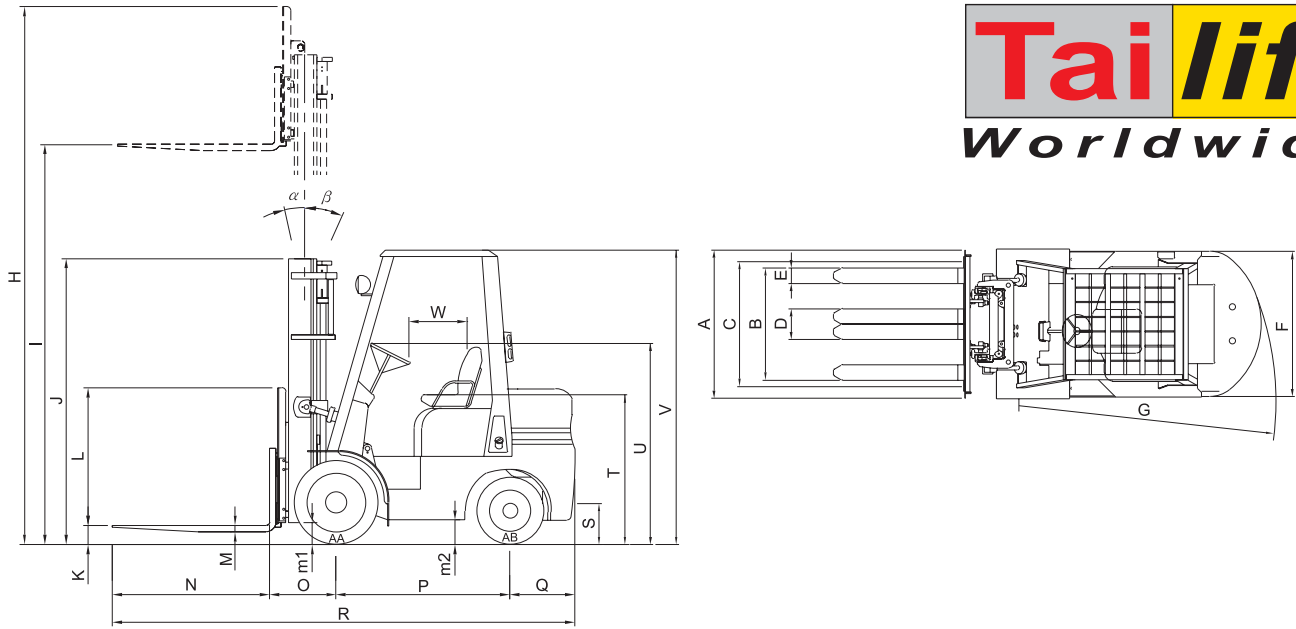


Tai lift
Worldwide

**4,000 to 5,000 lb
Gas, LPG and Diesel Powered
Pneumatic tire lift trucks**



CE ISO 9001



DIMENSIONS

| Item | Model | FD/FG20P | FD/FG25P |
|---|-------|-----------------|----------|
| Capacity | lbs | 4000 | 5000 |
| Load center | in | 24 | 24 |
| Overall width | A | 45.6 | 45.6 |
| Outside width between forks | B | 40.2 | 40.2 |
| Front wheels tread | C | 38.2 | 38.2 |
| Width of two forks | D | 9.4 | 9.4 |
| Width of one fork | E | 4.7 | 4.7 |
| Rear wheels tread | F | 38.8 | 38.8 |
| Min. turning radius. Outside | G | 85.4 | 88.6 |
| Max height overall | H | 178.0 | 178.0 |
| Max. fork height | I | 130 | 130 |
| Height of mast | J | 84.6 | 84.6 |
| Free lift | K | 0 | 0 |
| Height of load backrest | L | 48 | 48 |
| Max. thickness of fork | M | 1.6 | 1.6 |
| Length of fork | N | 42.0 | 42.0 |
| Distance between front and center of wheel | O | 18.3 | 18.3 |
| Wheel Base | P | 61.0 | 61.0 |
| Distance between front and center of rear wheel | Q | 18.5 | 20.0 |
| Overall length | R | 140 | 141.5 |
| Ground At lowest point | m1 | 4.7 | 4.7 |
| Clearance Center of wheelbase | m2 | 7.7 | 7.7 |
| Height of tail | S | 12.2 | 12.2 |
| Seat height | T | 44.1 | 44.1 |
| Height of steering wheel | U | 59.5 | 59.5 |
| Height of overhead guard | V | 83.1 | 83.1 |
| Space of driver's seat | W | 16.7~25.2 | |
| Dimension of front wheel | AA | 7.00-12-12 P.R. | |
| Dimension of rear wheel | AB | 6.00-9-10 P.R. | |

MAIN SPECIFICATIONS

| Item | Model | FD / FG | FD / FG |
|--------------------------|-----------|------------|------------|
| | | FG(LPG) 20 | FG(LPG) 25 |
| Load (lbs) | | 4000 | 5000 |
| Load Center (in.) | | 24 | 24 |
| Mast tilting range (deg) | Front | 6° | 6° |
| | Rear | 12° | 12° |
| Lifting speed (in / sec) | No load | 25.6" | 23.6" |
| | Full load | 21.7" | 20.9" |
| Lowering speed (in/ sec) | No load | 17.3" | 17.3" |
| | Full load | 18.5" | 18.5" |
| Travel speed (mph) | No load | 11.2 | 11.8 |
| | Full load | 10.6 | 11.2 |
| Gradeability (deg) | No load | 20 | 20 |
| | Full load | 25 | 23 |
| Net weight (lbs) | | 7892/7716 | 8377/8201 |
| Max. drawbar pull (lbs) | | 3847/3712 | 3982/3757 |

Standard features include:

Automatic transmission with trans cooler, 3rd valve and handle, high air intake, class II carriage with six roller bearings, headlight, rear back-up light, and turn signals

Engine Options

| | | | |
|---------|-------|-----------|--------|
| Diesel: | Isuzu | 4JG2-PJ03 | 61.6HP |
| LPG: | GM | 3.0L | 75HP |

Specifications are subject to improvements and changes without notice.

Authorized distributor: