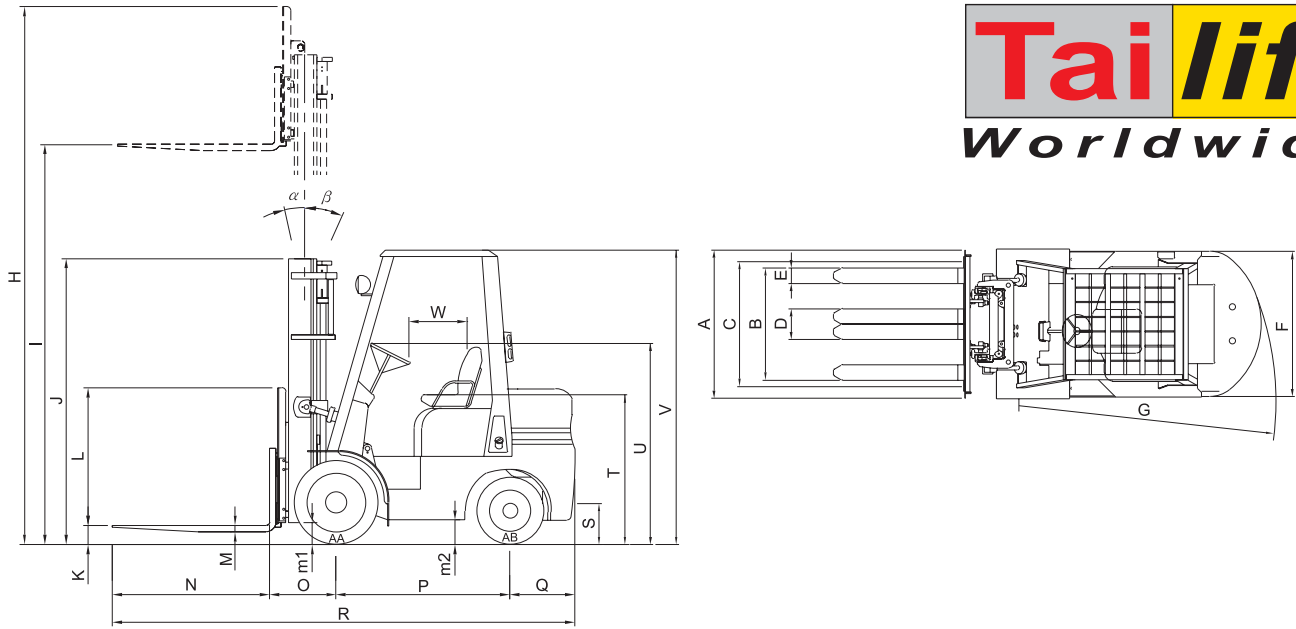


Tai lift
Worldwide

**6,000 to 8,000 lb
Gas, LPG and Diesel Powered
Pneumatic tire lift trucks**



CE ISO 9001



DIMENSIONS

Item	Model	FD/FG30P	FD/FG35P
Capacity	lbs	6000	8000
Load center	in	24	24
Overall width	A	50.4	53.1
Outside width between forks	B	45.3	45.3
Front wheels tread	C	41.5	43.7
Width of two forks	D	9.4	9.8
Width of one fork	E	4.7	4.9
Rear wheels tread	F	38.8	38.8
Min. turning radius. Outside	G	95.1	106.9
Max height overall	H	166.0	166.0
Max. fork height	I	130	130
Height of mast	J	84.6	84.6
Free lift	K	0	0
Height of load backrest	L	48	48
Max. thickness of fork	M	1.8	2.0
Length of fork	N	42.0	42.0
Distance between front and center of wheel	O	18.9	19.1
Wheel Base	P	65.0	76.8
Distance between front and center of rear wheel	Q	20.9	20.9
Overall length	R	146.8	158
Ground At lowest point	m1	4.7	4.7
Clearance Center of wheelbase	m2	8.7	8.7
Height of tail	S	13.3	13.3
Seat height	T	44.8	44.8
Height of steering wheel	U	59.5	59.5
Height of overhead guard	V	84.3	84.3
Space of driver's seat	W	16.7~25.2	
Dimension of front wheel	AA	8.15-15-12/14 P.R.	
Dimension of rear wheel	AB	6.50-10-10 P.R.	

MAIN SPECIFICATIONS

Item	Model	FD / FG	FD / FG
		FG(LPG) 30	FG(LPG) 35
Load (lbs)		6000	8000
Load Center (in.)		24	24
Mast tilting range (deg)	Front	6°	6°
	Rear	12°	12°
Lifting speed (in / sec)	No load	21.3"	17.7"
	Full load	16.5"	16.1"
Lowering speed (in/ sec)	No load	16.5"	16.5"
	Full load	17.7"	17.7"
Travel speed (mph)	No load	11.2	11.2
	Full load	10.6	9.9
Gradeability (deg)	No load	18	18
	Full load	23	21
Net weight (lbs)		9920/9744	10361/10185
Max. drawbar pull (lbs)		4117/4049	4027/3982

Standard features include:

Automatic transmission with trans cooler, 3rd valve and handle, high air intake, class II carriage with six roller bearings, headlight, rear back-up light, and turn signals

Engine Options

Diesel:	Isuzu	4JG2-PJ03	61.6HP
LPG:	GM	3.0L	75HP

Specifications are subject to improvements and changes without notice.

Authorized distributor: